

IN THE DRAWINGS:

The attached sheets of drawings include changes to FIGS. 7, 13, and 17. These sheets, which include FIGS. 7, 11-13, and 16-17, replace the original sheets including FIGS. 7, 11-13 and 16-17.


Specifically, FIG. 7 has been revised to change the reference numeral "24" (two occurrences, one appearing in left-hand portion and one appearing in right-hand portion of the figure) to --26-- to eliminate redundancy with previously used reference numerals; FIG. 13 has been revised to delete reference numeral "24" together with its corresponding lead line; and FIG. 17 has been revised to relocate reference numeral --100-- together with its corresponding lead line. No new matter has been added.

REMARKS

This amendment corrects errors in the text and drawings. Entry is respectfully solicited.

This amendment is submitted prior to or concurrently with the payment of the issue fee and, therefore, no petition or fee is required. No new matter has been added.

Respectfully submitted,



James R. Duzan
Registration No. 28,393
Attorney for Applicant(s)
TRASKBRITT
P.O. Box 2550
Salt Lake City, Utah 84110-2550
Telephone: 801-532-1922

Date: March 15, 2005

JRD/csw

Enclosures: Replacement Sheets
Annotated Sheets Showing Changes

\\Traskbritt1\Shared\DOCS\2269-3434.1US\103054.doc

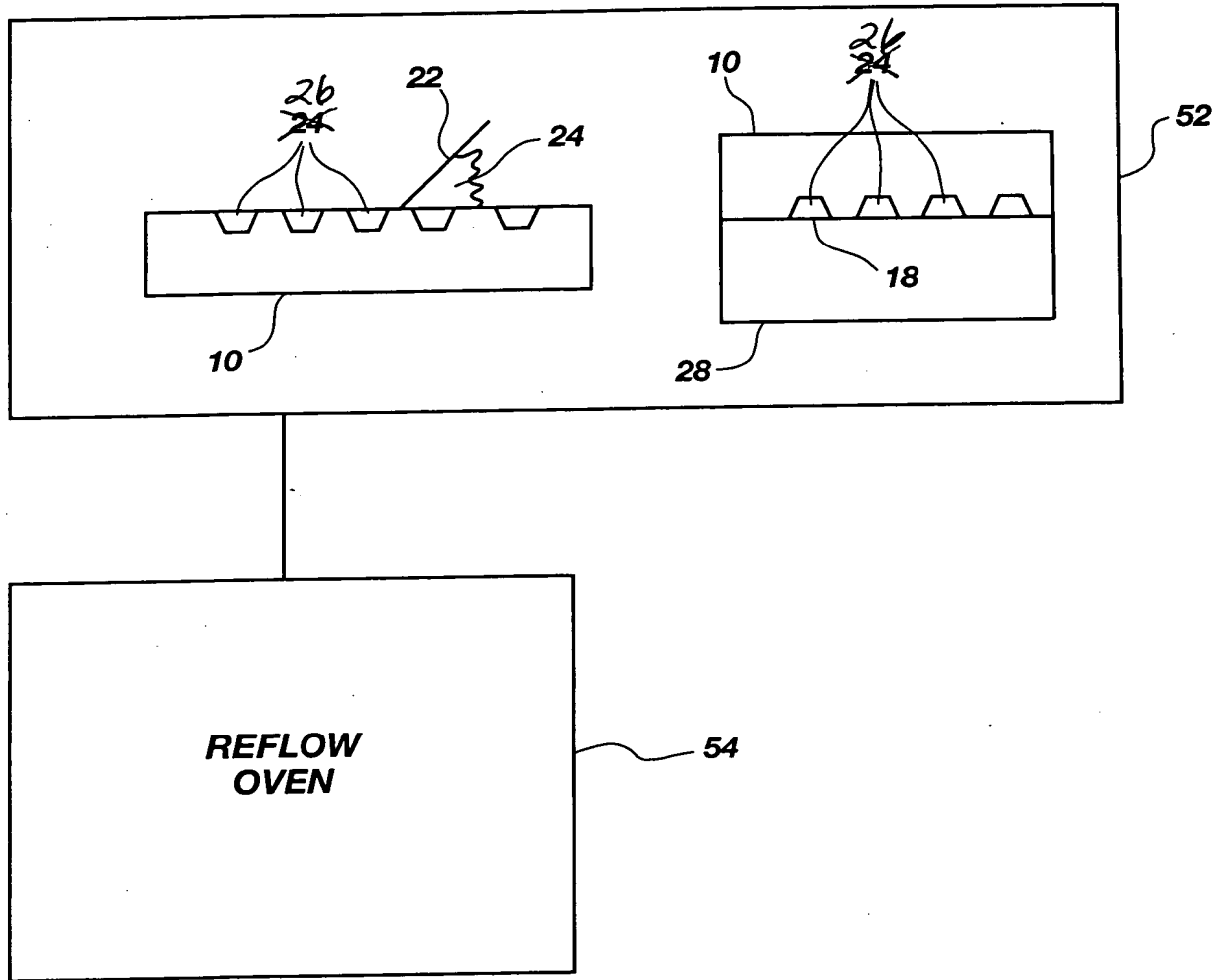


Fig. 7

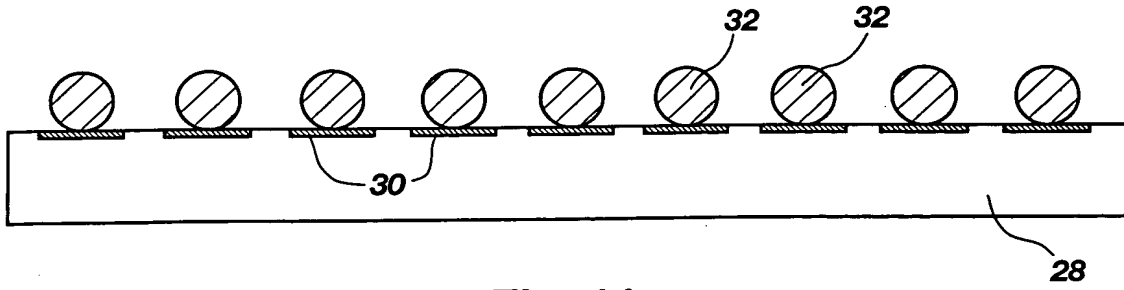


Fig. 11

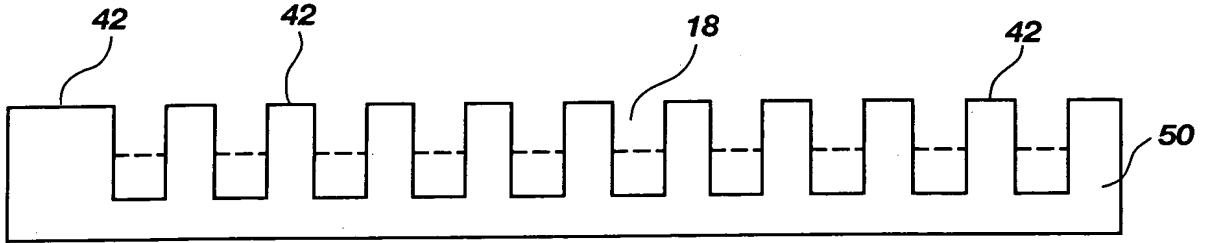


Fig. 12

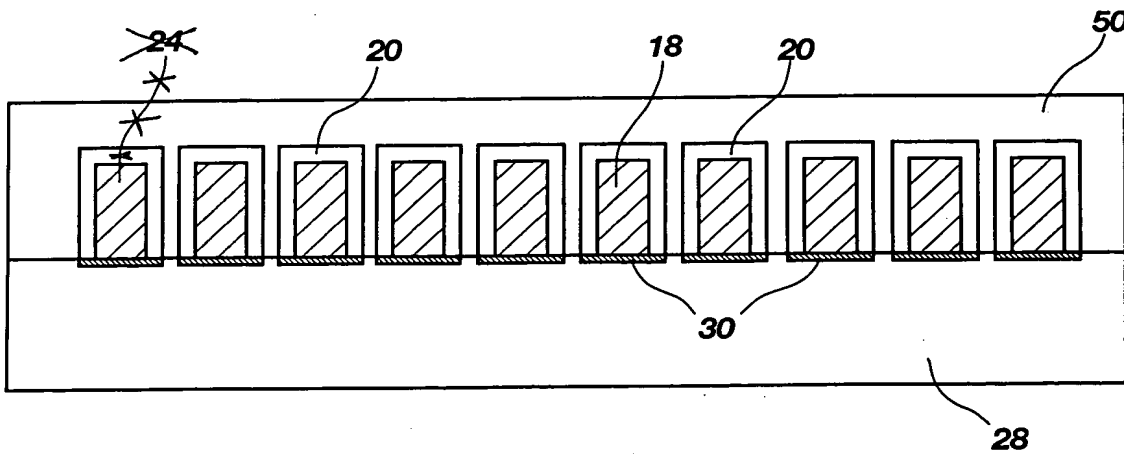


Fig. 13

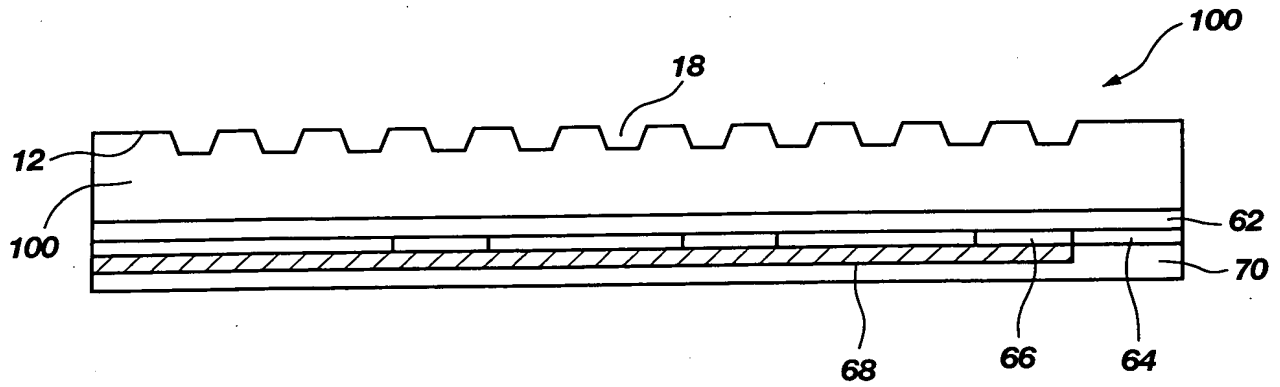


Fig. 16

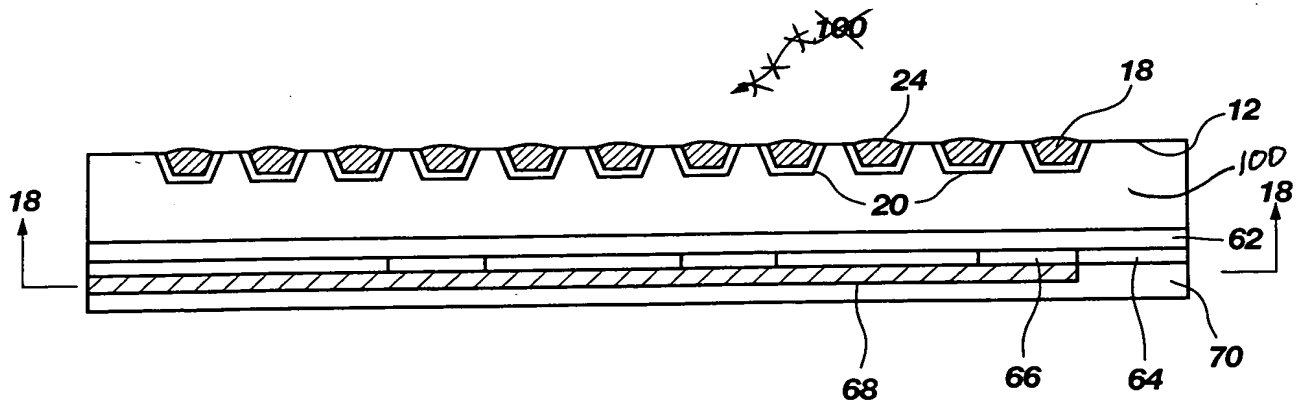


Fig. 17